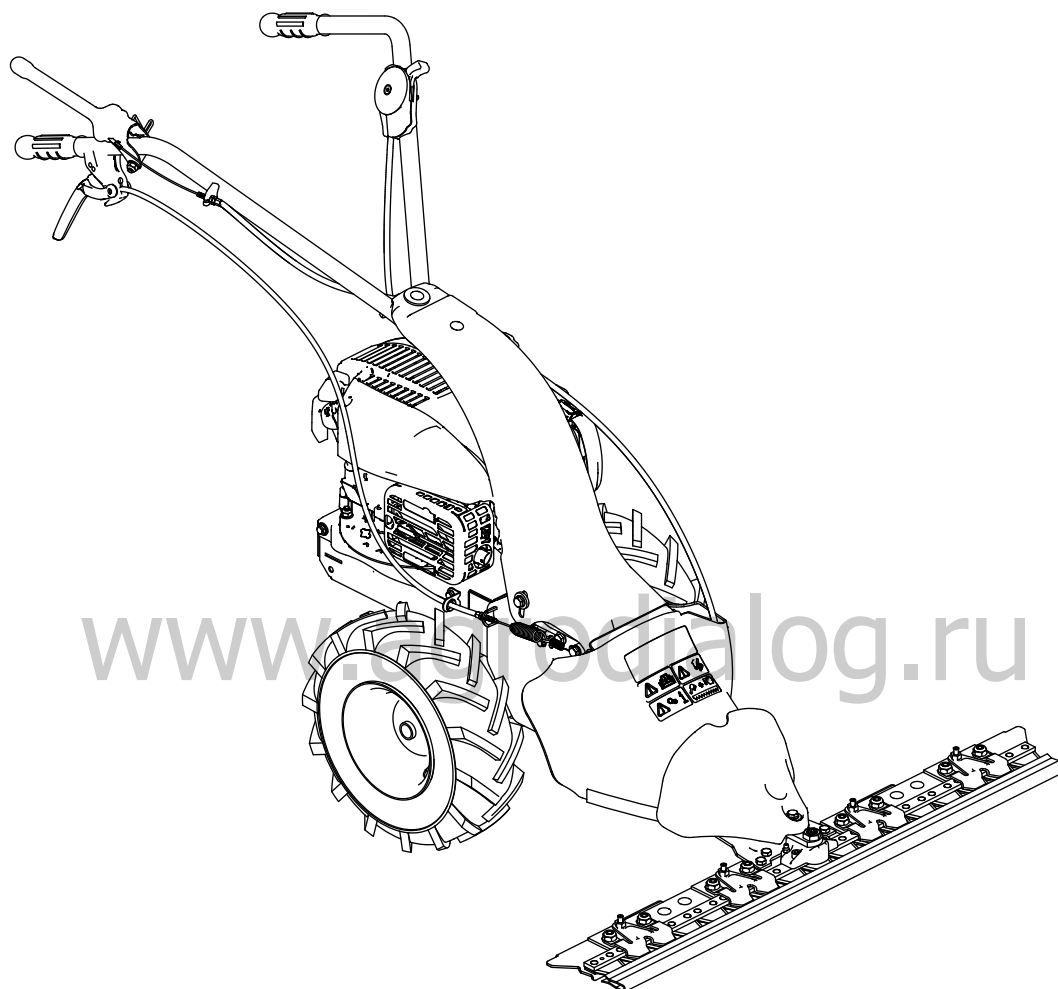


# ESPLOSO EXPLODED VIEW



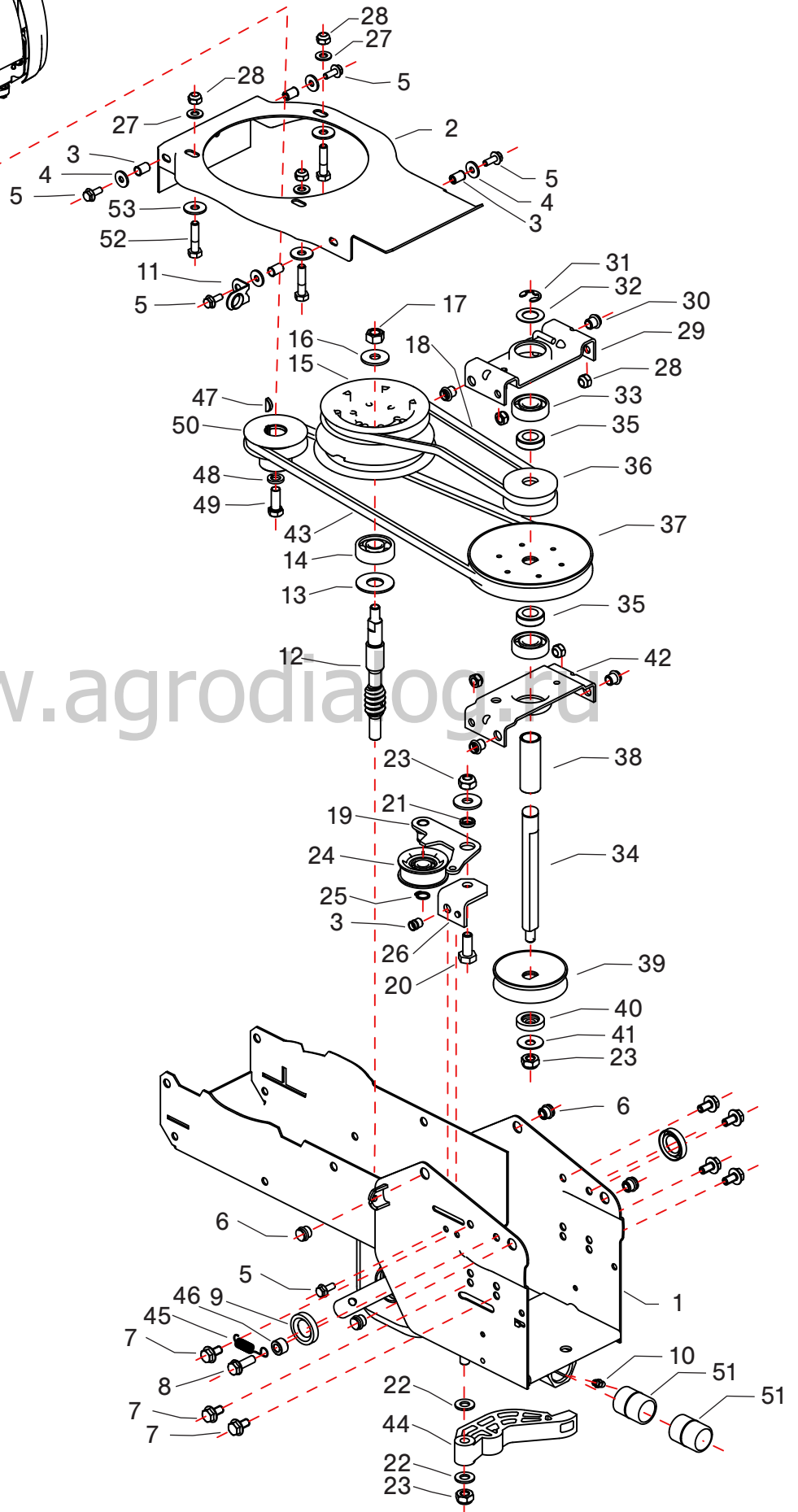
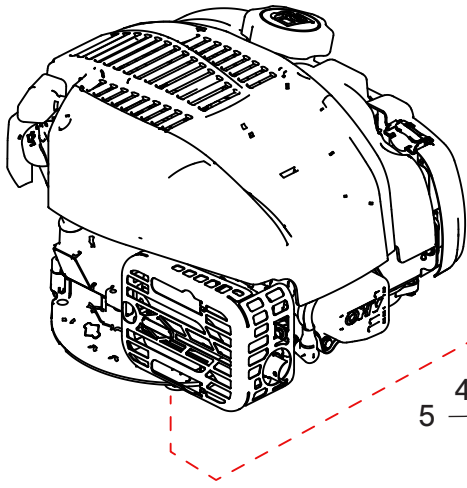
# M90

06/2020



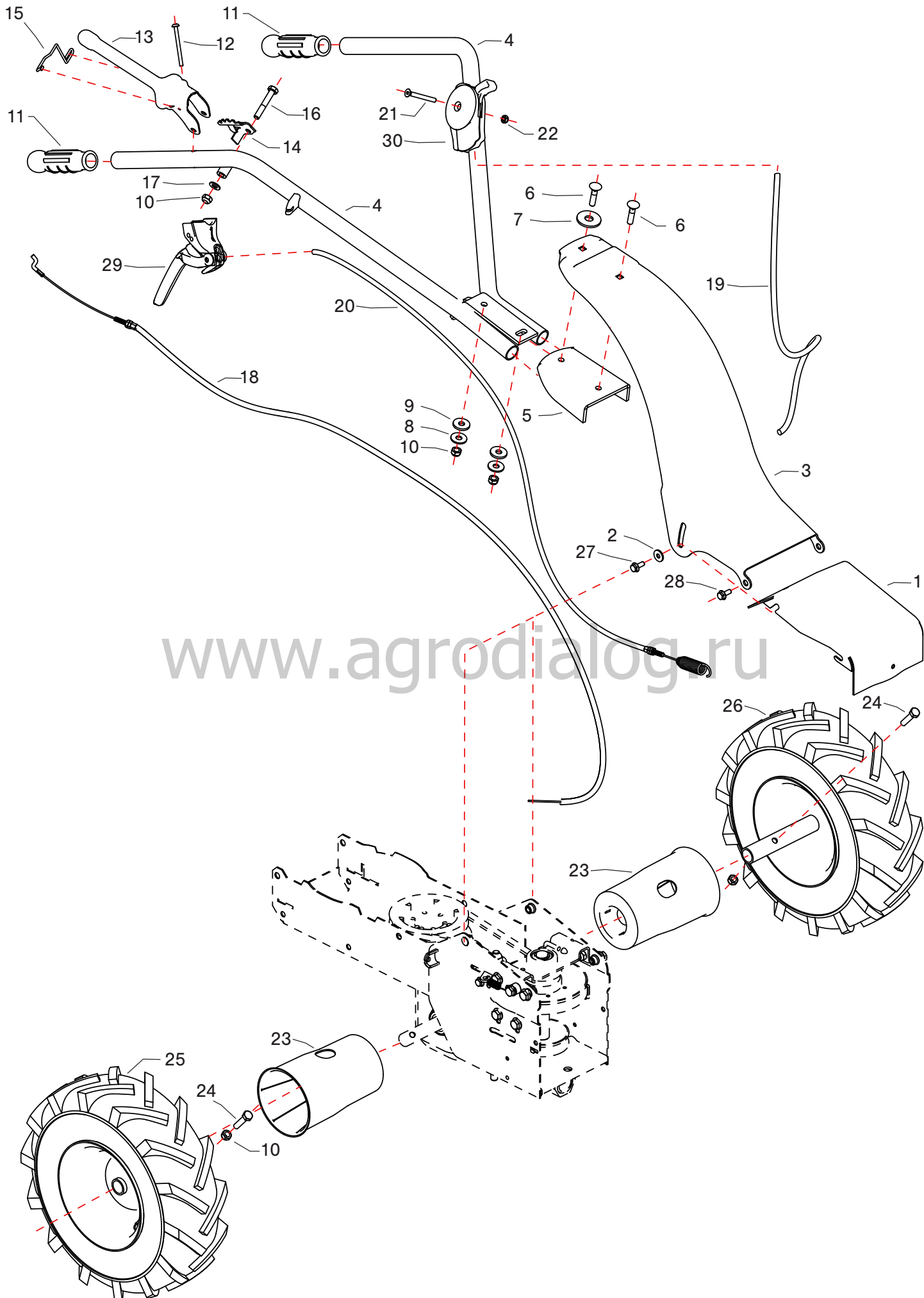
Via G.Pastore, 8 | Zona industriale | 42045 Luzzara (RE) | Italy | (t) +39 0522 977169 | (f) +39 0522 977819 |

(m) info@eurosystems-spa.com | (w) www.eurosystems-spa.com



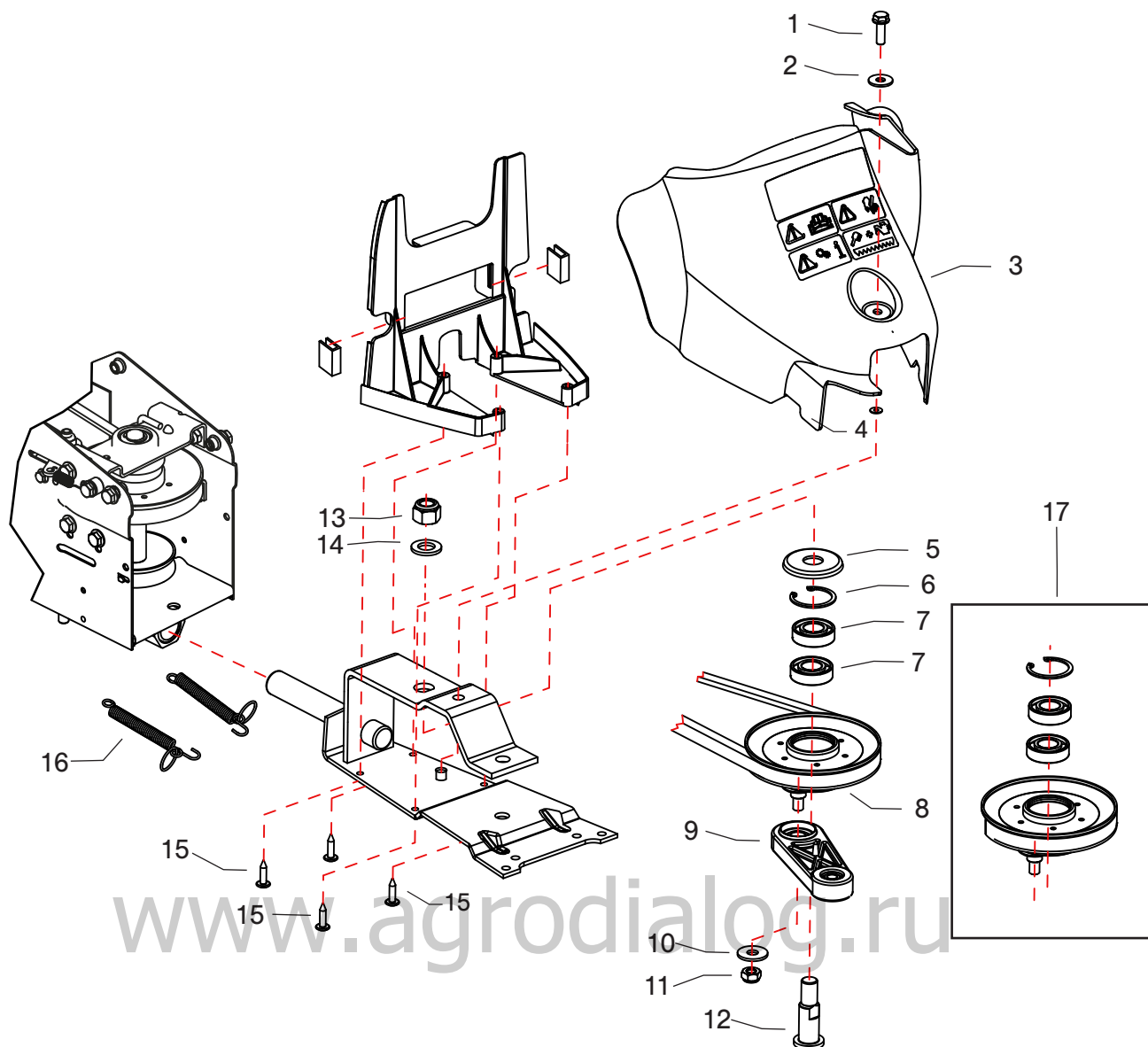
www.agrodiario.it

1	<b>321005720</b>	Telaio   Frame	28	<b>814588000</b>	Dado M8   Nut M8
2	<b>321005120</b>	Coperchio   Cover	29	<b>322005175</b>	Supporto superiore   Upper support
3	<b>808990000</b>	Insero filettato M6   Threaded insert M6	30	<b>808991000</b>	Insero filettato M8   Threaded insert M8
4	<b>843619000</b>	Rosetta   Washer	31	<b>801040060</b>	Anello benzing   Benzing ring
5	<b>862120000</b>	Vite TE M6x16 flangiata   Flanged screw TE	32	<b>270013596</b>	Distanziale   Spacer
6	<b>260050200</b>	Insero filettato M8   Threaded insert M8	33	<b>812586000</b>	Cuscinetto   Bearing
7	<b>862494000</b>	Vite TE M8x16 flangiata   Flanged screw TE	34	<b>322005182</b>	Albero   Shaft
8	<b>862685000</b>	Vite TE M8x25 flangiata   Flanged screw TE	35	<b>231005258</b>	Distanziale   Spacer
9	<b>802060000</b>	Anello di tenuta   Sealing ring	36	<b>322005185</b>	Puleggia   Pulley
10	<b>826016000</b>	Ingrassatore M6   Greaser M6	37	<b>261005203</b>	Puleggia   Pulley
11	<b>360010130</b>	Piastrina passafilo   Platelet Threader	38	<b>321005715</b>	Distanziale   Spacer
12	<b>322005150</b>	Vite senza fine   Endless screw	39	<b>261005200</b>	Puleggia   Pulley
13	<b>321005900</b>	Guarnizione olio   Oil seal	40	<b>260005232</b>	Distanziale   Spacer
14	<b>811050160</b>	Cuscinetto   Bearing	41	<b>270015588</b>	Molla a tazza   Cup spring
15	<b>322005155</b>	Puleggia doppia   Double pulley	42	<b>263005135</b>	Supporto   Support
16	<b>843818000</b>	Rosetta   Washer	43	<b>321005195</b>	Cinghia SPZ   Belt SPZ
17	<b>814667000</b>	Dado M10x1   Nut M10x1	44	<b>261005920</b>	Leva tendi attrezzi   tool tensioner lever
18	<b>322005160</b>	Cinghia   Belt	45	<b>231005903</b>	Molla   Spring
19	<b>322005176</b>	Leva tendicinghia   Belt tensioner lever	46	<b>220005199</b>	Distanziale   Spacer
20	<b>863254000</b>	Vite M10x25   Screw M10x25	47	<b>260050202</b>	Linguetta   Tongue
21	<b>260005230</b>	Distanziale   Spacer	48	<b>843755000</b>	Rosetta   Washer
22	<b>843812000</b>	Rosetta   Washer	49	<b>260050201</b>	Vite TE 3/8x1   Screw TE 3/8X1
23	<b>814645000</b>	Dado M10   Nut M10	50	<b>322025100</b>	Puleggia motore   Engine pulley
24	<b>322005900</b>	Ruota tendicinghia   Belt tensioner pulley	51	<b>261005901</b>	Boccola   Bush
25	<b>801102000</b>	Anello seeger   Seeger ring	52	<b>862741000</b>	Vite M8x35   Screw M8x35
26	<b>321005408</b>	Supp. leva tendicinghia   Belt tensioner lever	53	<b>843708000</b>	Rosetta   Washer
27	<b>843685000</b>	Rosetta D8   Washer			



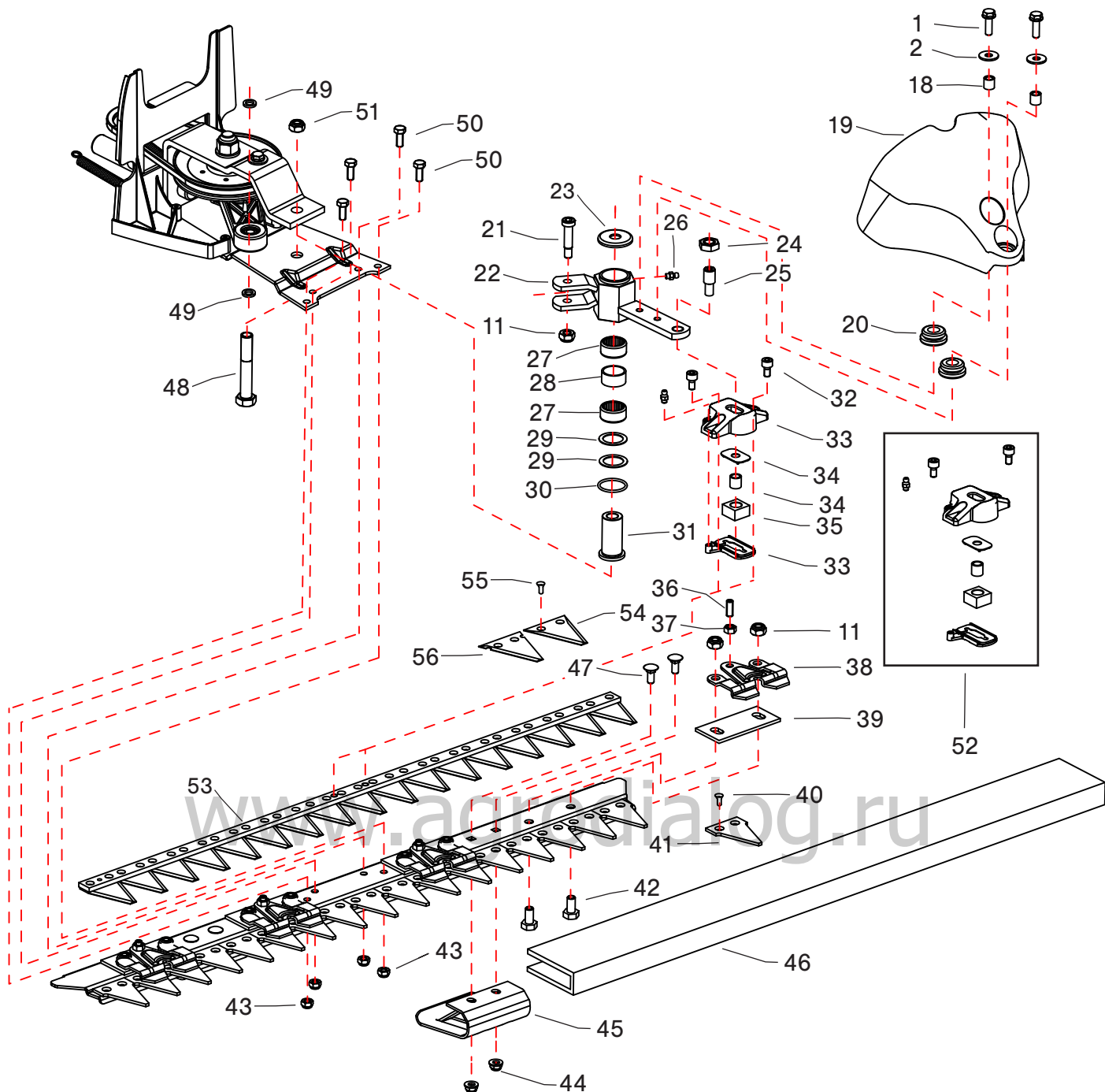
www.agrodialog.ru

- 1 **322005111** Coperchio telaio | Frame cover
- 2 **843711000** Rosetta | Washer
- 3 **321010134** Supporto stegola | Handlebar support
- 4 **322010191** Stegola | handlebar
- 5 **321010902** Fascia antivibrante | Antivibration band
- 6 **862786250** Vite M8x35 | Screw M8x35
- 7 **843884000** Rosetta | Washer
- 8 **843708000** Rosetta | Washer
- 9 **321010901** Rosetta | Washer
- 10 **814588000** Dado M8 | Nut M8
- 11 **330010910** Manopola | Knob
- 12 **861840275** Vite M6x60 | Screw M6x60
- 13 **261010302** Leva innesto attrezzi | Tool engagement lever
- 14 **261010304** Piastra aggancio | Hooking plate
- 15 **261010305** Molla blocca leva | Lever locking spring
- 16 **862881000** Vite M8x50 | Screw M8x50
- 17 **843685000** Rosetta | Washer
- 18 **322010400** Trasmissione innesto attrezzo | Gear engagement transmission
- 19 **261050224** Filo + guaina acc. | Full wire throttle
- 20 **322010305** Trasmissione completa | Full transmission
- 21 **862356200** Vite M6x55 | Screw M6x55
- 22 **814548000** Dado M6 | Nut M6
- 23 **321015905** Parapolvere ruote | Wheel dust cover
- 24 **862860020** Vite M8x35 | Screw M8x35
- 25 **321015262** Ruota piena 13x5.00-6 DX | Full wheel R
- 26 **321015263** Ruota piena 13x5.00-6 SX | Full wheel L
- 27 **862685000** Vite TE M8x25 | Screw TE M8x25
- 28 **862494000** Vite TE M8x16 | Screw TE M8x16
- 29 **360010185** Leva singola | Single lever
- 30 **321010920** Acceleratore completo | Full throttle



- 1 862685000 Vite TE M8x25 | Screw TE M8x25
- 2 843708000 Rosetta | Washer
- 3 322020920 Cofano posteriore | Rear cover
- 4 843720000 Rondella nylon | Nylon washer
- 5 261005215 Distanziale | Spacer
- 6 801309000 Seeger | Seeger
- 7 812632000 Cuscinetto | Bearing
- 8 261005210 Puleggia | Pulley
- 9 322020900 Biella | Rod
- 10 843818000 Rosetta | Washer
- 11 814645000 Dado M10 | Nut M10
- 12 261005214 Perno puleggia | Pulley pin
- 13 814794000 Dado M16 | Nut M16
- 14 843994000 Rosetta | Washer
- 15 863988200 Vite a disegno | Screw
- 16 321300282 Molla | Spring

- 17 261005217 Kit puleggia | Pulley kit
- 18 401020123 Boccia | Bush
- 19 322020910 Cofano anteriore | Front cover
- 20 220010909 Passafilo | Threader
- 21 863432000 Vite | Screw
- 22 322020120 Bilanciere | Balancer
- 23 261005247 Parapolvere bilanciere | Dust cover
- 24 814750020 Dado M14 | Nut M14
- 25 322020140 Vite M14x35 | Screw M14x35
- 26 826016000 Ingrassatore M6 | Greaser M6
- 27 812687000 Astuccio | Case
- 28 261005224 Distanziale | Spacer
- 29 270011715 Distanziale | Spacer
- 30 803208000 Anello OR | OR
- 31 261005244 Boccia bilanciere | Balancer bush
- 32 862474050 Vite M8x14 | Screw M8x14



- |           |                  |  |           |                  |                                    |
|-----------|------------------|--|-----------|------------------|------------------------------------|
| <b>33</b> | <b>322020906</b> | Kit scatola   Box kit                        | <b>45</b> | <b>322020116</b> | Slitta   sleigh                    |
| <b>34</b> | <b>322020908</b> | Kit boccola   Bush kit                       | <b>46</b> | <b>261020115</b> | Protezione lama   Blade protection |
| <b>35</b> | <b>322020141</b> | Tassello comando   Plug                      | <b>47</b> | <b>862786100</b> | Vite M8x20   Screw M8x20           |
| <b>36</b> | <b>862672000</b> | Vite M8x20   Screw M8x20                     | <b>48</b> | <b>864334000</b> | Vite M14x85   Screw M14x85         |
| <b>37</b> | <b>814574000</b> | Dado M8   Nut M8                             | <b>49</b> | <b>322020132</b> | Distanziale   Spacer               |
| <b>38</b> | <b>261020112</b> | Piastra registro barra   Bar registrer plate | <b>50</b> | <b>862555000</b> | Vite M8x20   Screw M8x20           |
| <b>39</b> | <b>261020114</b> | Guida post. lama   Rear blade guide          | <b>51</b> | <b>814767000</b> | Dado M14   Nut M14                 |
| <b>40</b> | <b>808866000</b> | Ribattino   Rivet                            | <b>52</b> | <b>322020905</b> | Kit scatola   Box kit              |
| <b>41</b> | <b>261020057</b> | Piastrina   platelet                         | <b>53</b> | <b>261020027</b> | Lama superiore   Upper blade       |
| <b>42</b> | <b>863206000</b> | Vite M10x20   Screw M10x20                   | <b>54</b> | <b>261020065</b> | Dente superiore   Upper tooth      |
| <b>43</b> | <b>814588000</b> | Dado M8   Nut M8                             | <b>55</b> | <b>808867000</b> | Ribattino   Rivet                  |
| <b>44</b> | <b>814599000</b> | Dado flangiato M8   Nut flange M8            | <b>56</b> | <b>261020067</b> | Dente superiore   Upper tooth      |